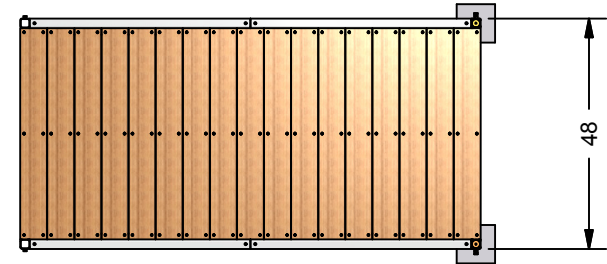
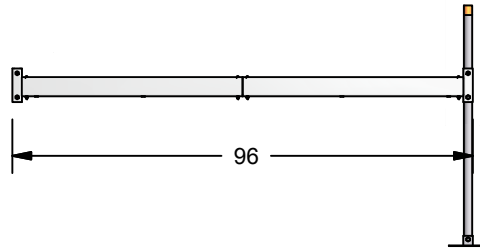
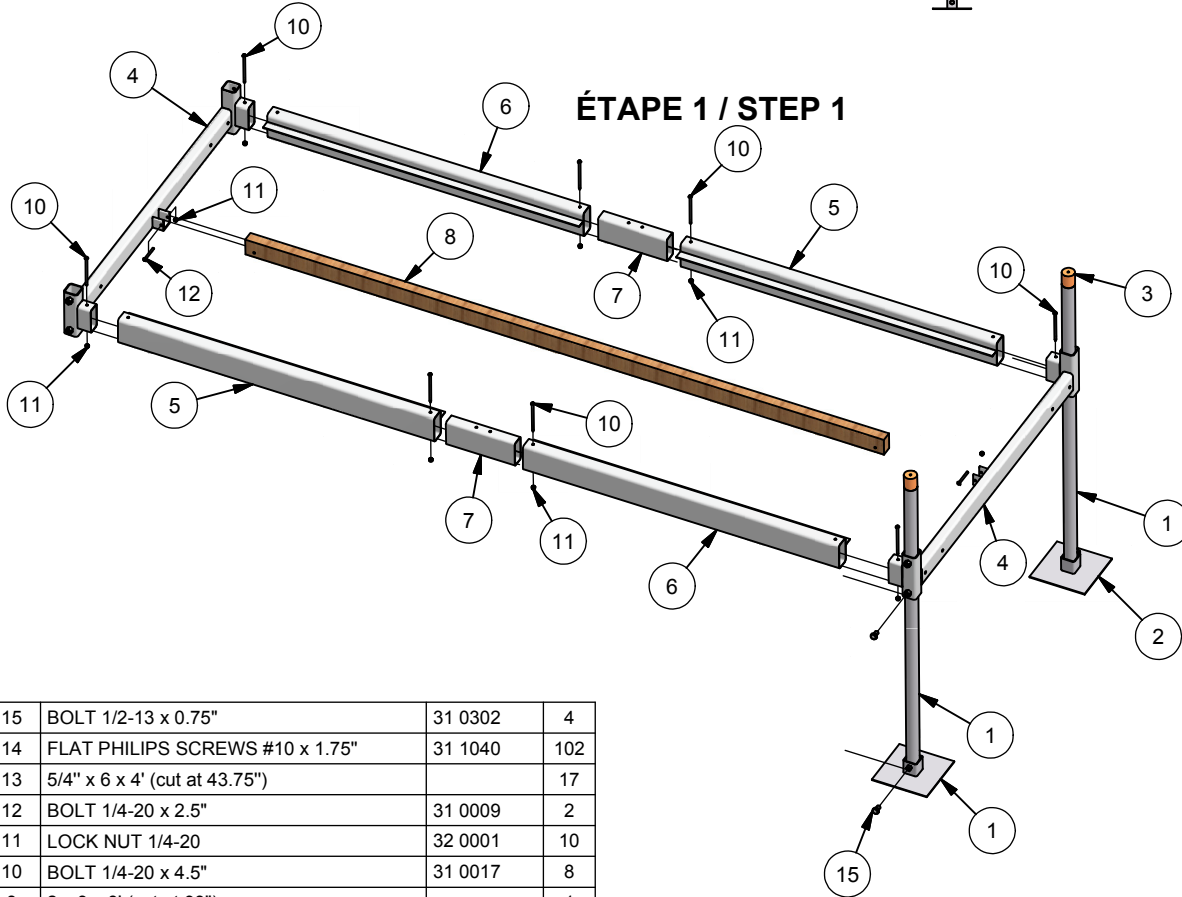




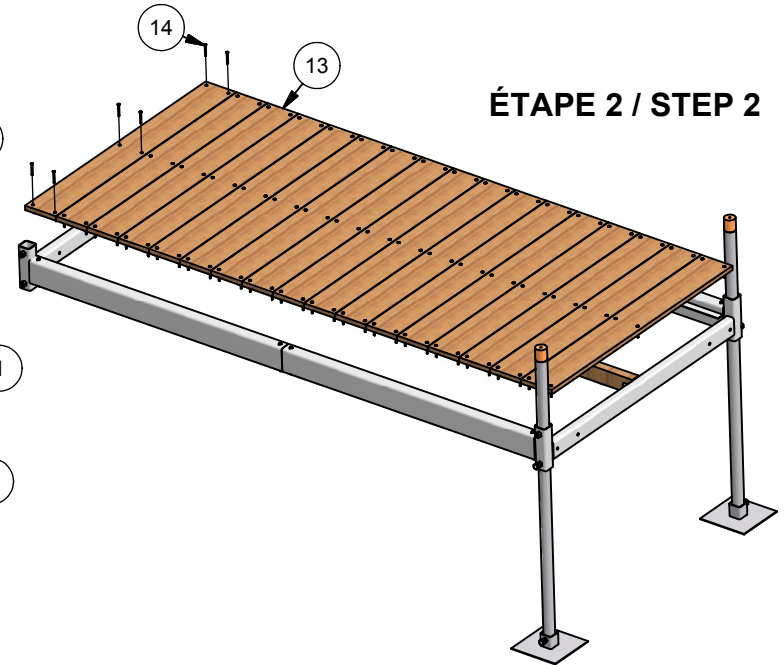
QUAI BRICOLEUR 4' x 8' SUR POTEAUX HANDYMAN KIT 4' x 8' ON POSTS



ÉTAPE 1 / STEP 1



ÉTAPE 2 / STEP 2



15	BOLT 1/2-13 x 0.75"	31 0302	4
14	FLAT PHILIPS SCREWS #10 x 1.75"	31 1040	102
13	5/4" x 6 x 4' (cut at 43.75")		17
12	BOLT 1/4-20 x 2.5"	31 0009	2
11	LOCK NUT 1/4-20	32 0001	10
10	BOLT 1/4-20 x 4.5"	31 0017	8
8	2 x 3 x 8' (cut at 93")		1
7	SLEEVE 3.78" x 1.78" x 12"	70 3062	2
6	SIDE FRAME 4.0"x 2.0"x 46" (MODEL B)	70 3061	2
5	SIDE FRAME 4.0"x 2.0"x 46" (MODEL A)	70 3060	2
4	END SUPPORT 3.0" x 1.5" x 4'	70 3059	2
3	PROTECTIVE CAP	30 0016	2
2	FOOT PAD 6" x 6"	40 2004	2
1	POST 1.66" x 4'	21 3072	2
Item	DESCRIPTION	Part #	Qté